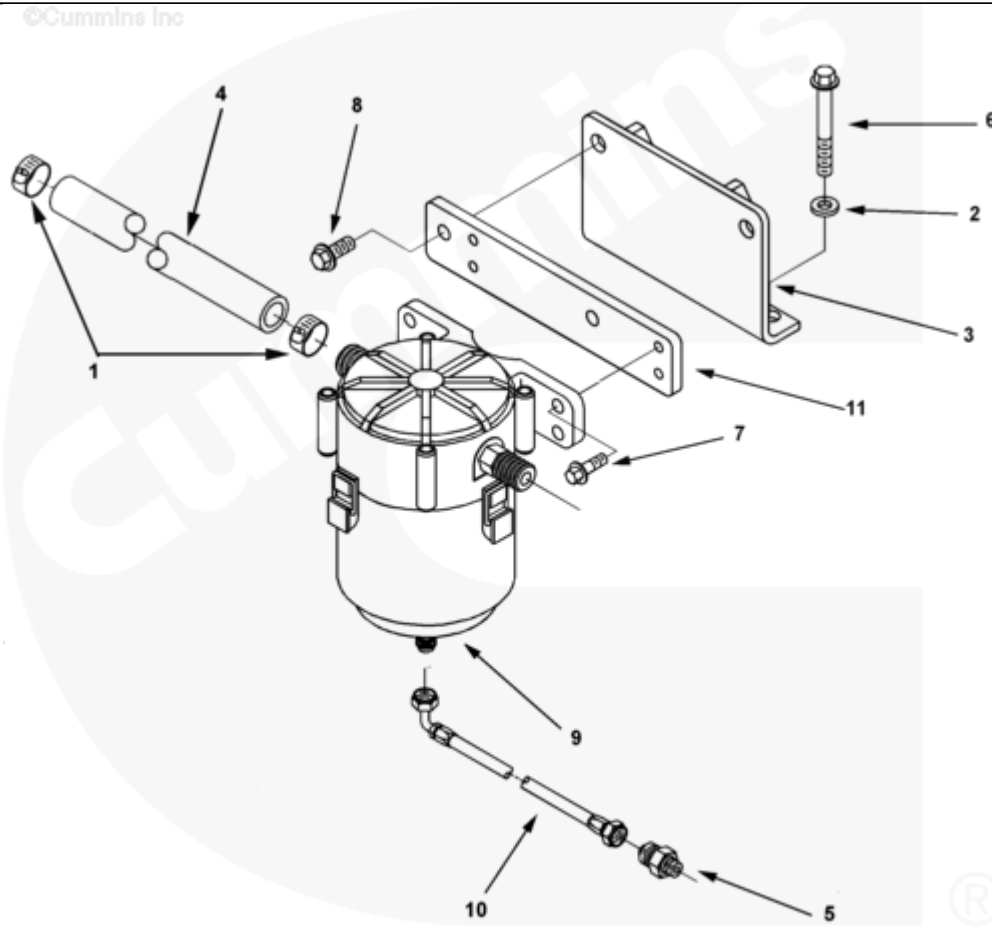




## Parts Catalog - Option Detail

| Electronic Parts Catalog - Option Detail |  |         |           |           |
|--|--|---------|-----------|-----------|
| Option                                   | Group  | Graphic | Film Card | Date      |
| BR2049-04                                | 03.02  | br200gp | II        | 25-APR-05 |
| <b>Engines</b>                           | ISM CM570, ISM CM570/870, ISM CM875, ISM CM876, ISM CM876 E, ISM11 CM876 M103, ISM11 CM876 SN, M11 CELECT, M11 CELECT PLUS, M11 MECHANICAL, QSM11 CM570, QSM11 CM876 |         |           |           |



br200gp

[SMALL](#) | [MEDIUM](#) | [LARGE](#)

| Cart         | Ref No | Part Number               | Part Description   | Required | Remarks            |
|--------------|--------|---------------------------|--------------------|----------|--------------------|
| View My Cart |        |                           |                    |          |                    |
|              |        | <a href="#">BR2049-04</a> | Crankcase Breather |          |                    |
|              |        |                           |                    |          | Crankcase Breather |

|                          |    |                         |                               |   |                              |
|--------------------------|----|-------------------------|-------------------------------|---|------------------------------|
|                          |    |                         |                               |   | Mounting Arrangement:        |
|                          |    |                         |                               |   | External                     |
|                          |    |                         |                               |   | Vent Location: Side          |
|                          |    |                         |                               |   | Vent Tube Routing: Customer  |
|                          |    |                         |                               |   | Supplied                     |
|                          |    |                         |                               |   | Breather System: Closed      |
|                          |    |                         |                               |   | Breather Tube for Connection |
|                          |    |                         |                               |   | to Closed Crankcase Breather |
|                          |    |                         |                               |   | System                       |
|                          |    |                         |                               |   |                              |
| <input type="checkbox"/> | 1  | <a href="#">210753</a>  | Hose Clamp                    | 2 | 9/16 - 1 1/4 inch            |
| <input type="checkbox"/> | 2  | <a href="#">3328328</a> | Sealing Washer                | 2 | M10                          |
| <input type="checkbox"/> | 3  | <a href="#">3606976</a> | Breather Bracket              | 1 |                              |
| <input type="checkbox"/> | 4  | <a href="#">4019816</a> | Plain Hose                    | 1 |                              |
| <input type="checkbox"/> | 5  | <a href="#">3607269</a> | Check Valve                   | 1 |                              |
| <input type="checkbox"/> | 6  | <a href="#">3896408</a> | Hexagon Flange Head Cap Screw | 2 | M10 x 1.50 x 80              |
| <input type="checkbox"/> | 7  | <a href="#">3900631</a> | Hexagon Flange Head Cap Screw | 4 | M8 X 1.25 X 25.              |
| <input type="checkbox"/> | 8  | <a href="#">3902460</a> | Hexagon Flange Head Cap Screw | 2 | M10 X 1.50 X 25.             |
| <input type="checkbox"/> | 9  | <a href="#">4003250</a> | Crankcase Breather            | 1 |                              |
| <input type="checkbox"/> | 10 | <a href="#">4003263</a> | Flexible Hose                 | 1 | CCV Oil Drain To HHC         |
| <input type="checkbox"/> | 11 | <a href="#">4019570</a> | Breather Bracket              | 1 |                              |
|                          |    |                         |                               |   |                              |
|                          |    |                         |                               |   |                              |
|                          |    |                         |                               |   |                              |
| <input type="checkbox"/> |    | <a href="#">4019745</a> | Breather Element              | 1 |                              |
| <input type="checkbox"/> |    | <a href="#">4019746</a> | Head Assembly                 | 1 |                              |
| <input type="checkbox"/> |    | <a href="#">4019747</a> | Head Assembly                 | 1 |                              |
| <input type="checkbox"/> |    | <a href="#">4019748</a> | Bypass Indicator              | 1 |                              |
| <input type="checkbox"/> |    | <a href="#">4019833</a> | Inlet Fitting                 | 1 |                              |
| <input type="checkbox"/> |    | <a href="#">4019834</a> | Outlet Fitting                | 1 |                              |

